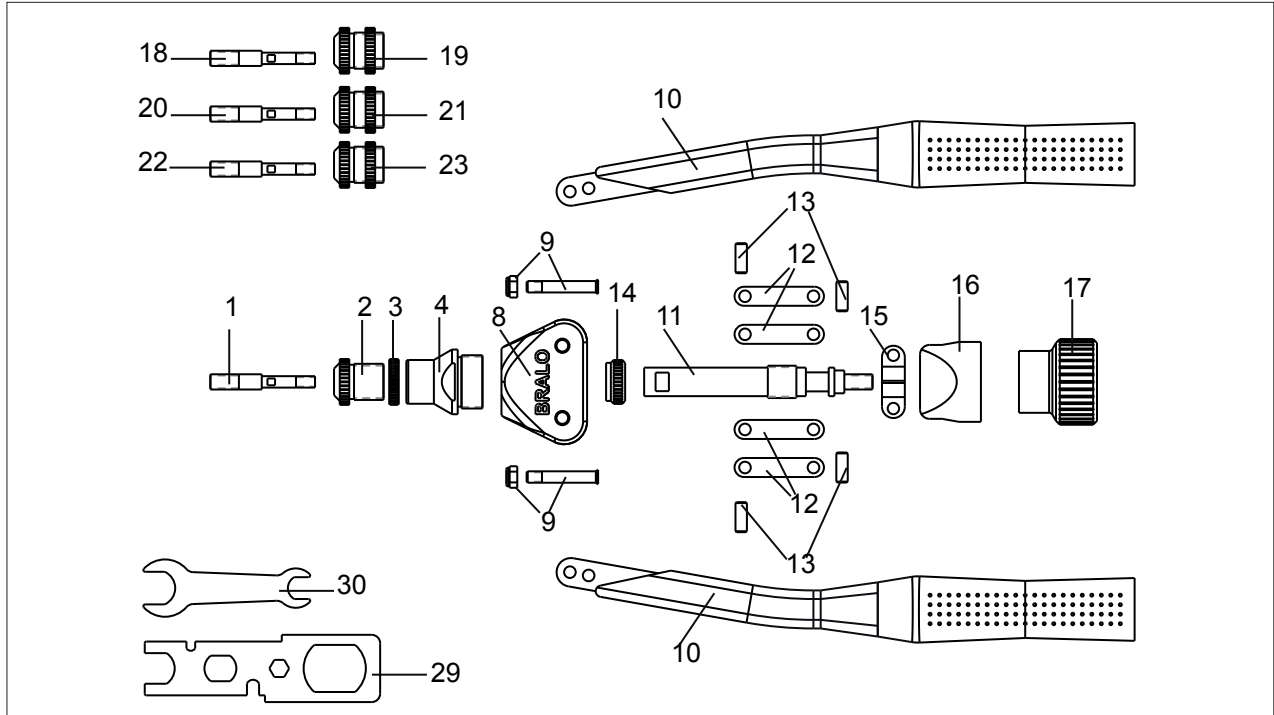


BREAKDOWN TR-312



N°	REFERENCE	DESCRIPTION
1	05TR0000226	Mandrel M-6
2	05TR0000227	Nosepiece M-6
3	05TR0000204	Locknut
4	05TR0000202	Nosepiece case
8	05BM0000204	Main body
9	05BM0000205	Screws + nuts
10	05BM0000206	Handle (1 unit)
11	05TR0000215	Expansion piece
12	05BM0000209	Plates (4 units)
13	05BM0000207	Piston
14	05TR0000214	Adjustment nut
15	05BM0000210	Anchoring pistons
16	05BM0000211	Mandrel collector

N°	REFERENCE	DESCRIPTION
17	05TR0000212	Knob
18	05TR0000228	Mandrel M-8
19	05TR0000229	Nosepiece M-8
20	05TR0000230	Mandrel M-10
21	05TR0000231	Nosepiece M-10
22	05TR0000232	Mandrel M-12
23	05TR0000233	Nosepiece M-12
29	05BM0000100	Nosepiece Spanner
30	05BM0000109	Wrench 12-18